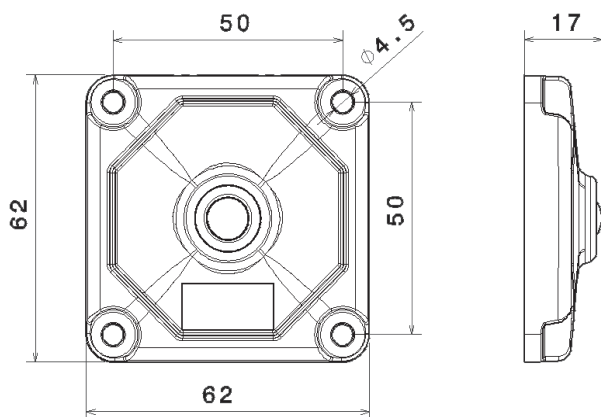


DETEC-IR



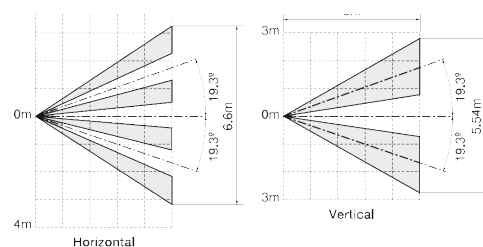
INFRA RED SENSOR

- # PMMA housing
- # Connection by 4 wires (lg 10cm)
- # Non-depolarized product

TECHNILYS +

- # Various timing available
- # Low space required to mount the product

DETECTION BEAM ANGLE



TECHNICAL DATA

BEAM ANGLE	120°
CONSUMPTION	0.2 W
SUPPLY	12-24V
DIMENSIONS (L X H) – MM -	62 X 62 X 19
WATERPROOF LEVEL	IP69K

PART NUMBER

TIMING	PART NUMBER
5 MN	240055
10 MN	240454
20 MN	240455
41 MN	240456