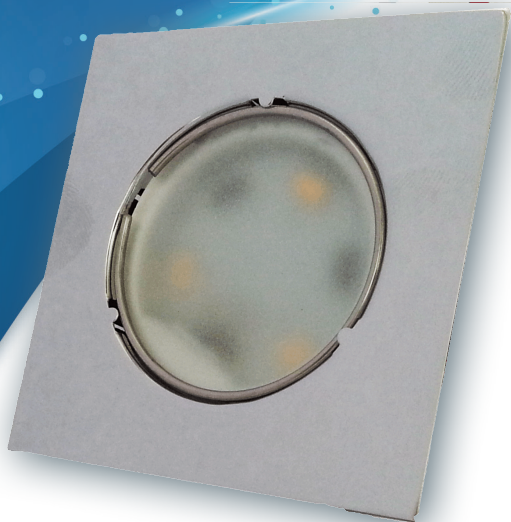


MIZOU V4K



CEILING LIGHT

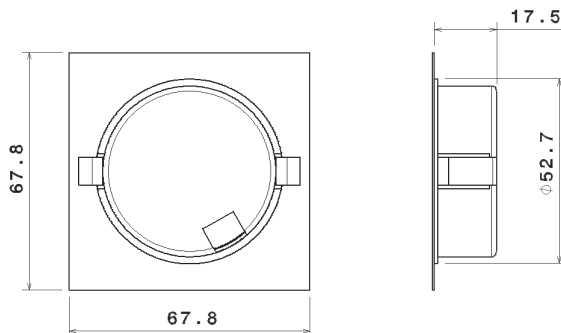
- # Plastic housing (PP)
- # Metallic trim
- # Beam angle : 120°
- # Connection by 2 wires (lg 10cm)
- # Non-depolarized product

LED COLOR

- # Cool white (6000-6500K)
- # Neutral white (4000-4500K)
- # Warm white (3000-3500K)

TECHNILYS +

Different trim's finish available



TECHNICAL DATA

LED : TYPE & NUMBER	3 OSRAM LEDS
BEAM ANGLE	120°
LUMINOUS FLUX	135 LUMENS
CONSUMPTION	1.5 W
SUPPLY	12V
DIMENSIONS (L X H) - MM -	Φ70 X 18
WATERPROOF LEVEL	N.A

PART NUMBER

LED COLOR	TRIM
	CHROME
COOL WHITE	TBD
NEUTRAL WHITE	TBD
WARM WHITE	TBD