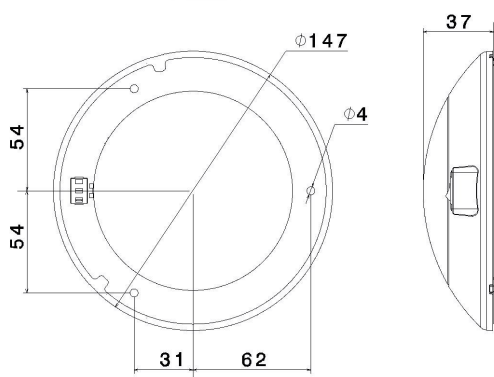


NOTIKI 600



CEILING LIGHT

- # Glass in Polycarbonat (PC)
- # Trim part in ABS plastic
- # Beam angle : 120°
- # Connection by 2 wires (lg 15cm)
- # Non depolarized product
- # Switch integrated

LED COLOR TEMPERATURE

- # Cool white (6000-6500K)
- # Neutral white (4000-4500K)
- # Warm white (3000-3500K)

TECHNILYS +

Different colors available for the plastic trim

Mounting by 2 hidden screws

Version available without switch

TECHNICAL DATA

LED : TYPE & NUMBER	12 OSRAM LEDS
BEAM ANGLE	120°
LUMINOUS FLUX	600 LUMEN
CONSUMPTION	6W
SUPPLY	12V
DIMENSIONS (L X H) – MM -	147 X 37
WATERPROOF LEVEL	N.A

PART NUMBERS

LED COLOR T°	P/N	WATERPROOF
WARM WHITE	240485W	IP20
NEUTRAL WHITE	240485N	IP20
COOL WHITE	240485C	IP20