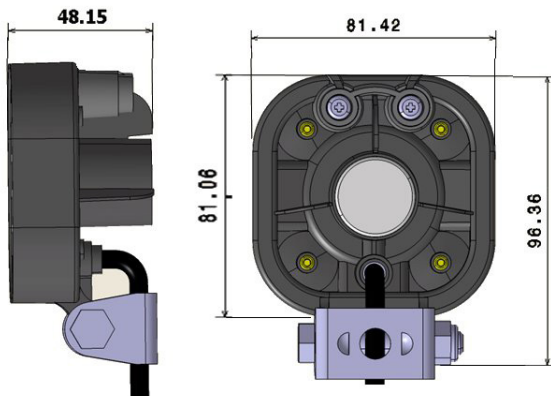


WLI 600



WORK LAMP

- # Glass in PMMA,
- # Beam angle : 13°
- # Connection by cable (lg 50cm)
- # Depolarized product

LED COLOR TEMPERATURE

- # Cool white (6000-6500°K)

AVAILABLE OPTIONS

- # Version without switch
- # CLICK-IN cable available

TECHNILYS +

SWITCH INTEGRATED IN THE HOUSING

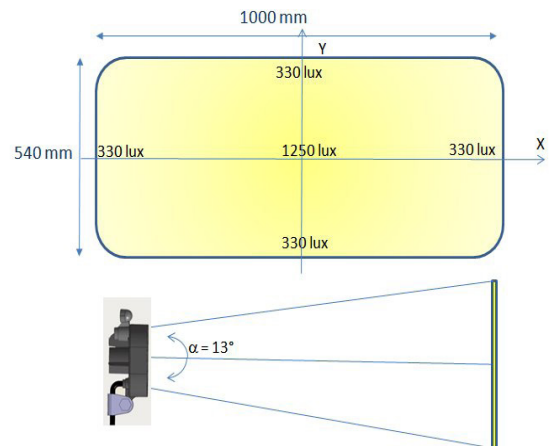
TECHNICAL DATA

LED : TYPE & NUMBER	12 OSRAM LEDS
BEAM ANGLE	13°
LUMINOUS FLUX	600 LUMEN
CONSUMPTION	9,5W
SUPPLY	12/24V
DIMENSIONS (L X H) – MM -	82 X 82 X 49
WATERPROOF LEVEL	IP67

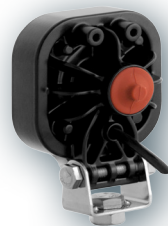
PART NUMBERS

PART NUMBER	LED COLOR T°	SUPPLY
240326C	COOL WHITE	24V
240431C	COOL WHITE	12/24V

LUMINOUS APPEARANCE



SWITCH INTEGRATED IN THE HOUSING



The switch is protected by a silicone shell